



SMART POOL TECHNOLOGY
MADE IN AUSTRIA

PERAQUA®



**FOR
PUBLIC
POOLS**

**SIDE
MOUNT**

HIGH LAYER FILTER

LEOBEN II

**HIGH LAYER FILTER MADE OF
REINFORCED
FIBREGLASS TANK**

VARIABLE SAND BED

Optional with filter star or nozzle
plate with 1 m or 1.2 m sand bed.

DETAILED DESCRIPTION

LEOBEN II

FEATURES

LEOBEN II is a high layer filter for public pools, made with industrial standards, reinforced fibreglass, UV resistant, equipped with 2" side hole and sightglass, black flansch lid, 2" connection and Manometer.

Available with 1 or 1.2 m sand bed.

Optional with filter star or nozzle plate.

Inkl. original Praher Plastics 2" piping set and manual 2" 7-Positionen Backwash Valve.



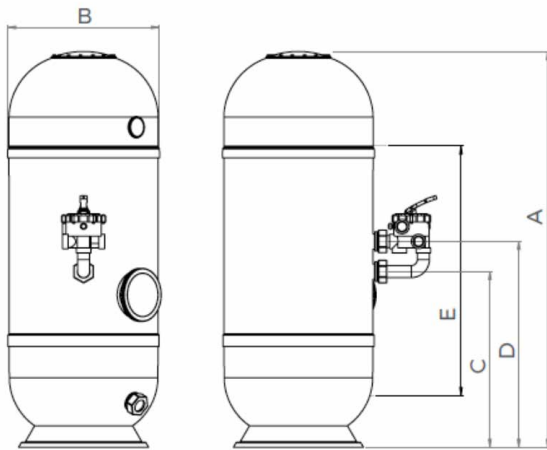
TECHNICAL DATA

0-1.6 BAR
OPERATING PRESSURE

2 BAR
MAX. PRESSURE

Ø 220 mm
SIGHTGLASS

< 40 °C
OPERATING TEMPERATURE



SPECIAL FEATURES

Folding diffuser to facilitate the loading of filtrant media.

Side hole to facilitate the discharge of filtrant media and the access to the interior parts.

Drain set designed to facilitate the emptying of water and sand.

Internal air purge to prevent the formation of air bubbles inside the filter.

DIMENSIONS

PROD. NO. with V6 Valve	Ø	SAND BED	SAND BED HEIGHT	FILTRATION AREA	FLOW RATE			DIMENSIONS				
					20 m/h	30 m/h	40 m/h	A	B	C	D	E
7300509	620	star	1.0 m	0.30	5.7	9.4	12	1645	620	728	868	100
7300510	750	star	1.0 m	0.44	8.3	13.8	18	1645	750	728	868	100
7300511	900	star	1.0 m	0.64	11.9	19.9	26	1645	900	728	868	100
7300512	620	star	1.2 m	0.30	5.7	9.4	12.3	1845	620	728	868	100
7300513	750	star	1.2 m	0.44	8.3	13.8	17.9	1845	750	728	868	100
7300514	900	star	1.2 m	0.64	11.9	19.9	25.8	1845	900	728	868	100
7300515	620	plate	1.2 m	0.30	5.7	9.4	12.3	1845	620	728	868	100
7300516	750	plate	1.2 m	0.44	8.3	13.8	17.9	1845	750	728	868	100
7300517	900	plate	1.2 m	0.64	11.9	19.9	25.8	1845	900	728	868	100