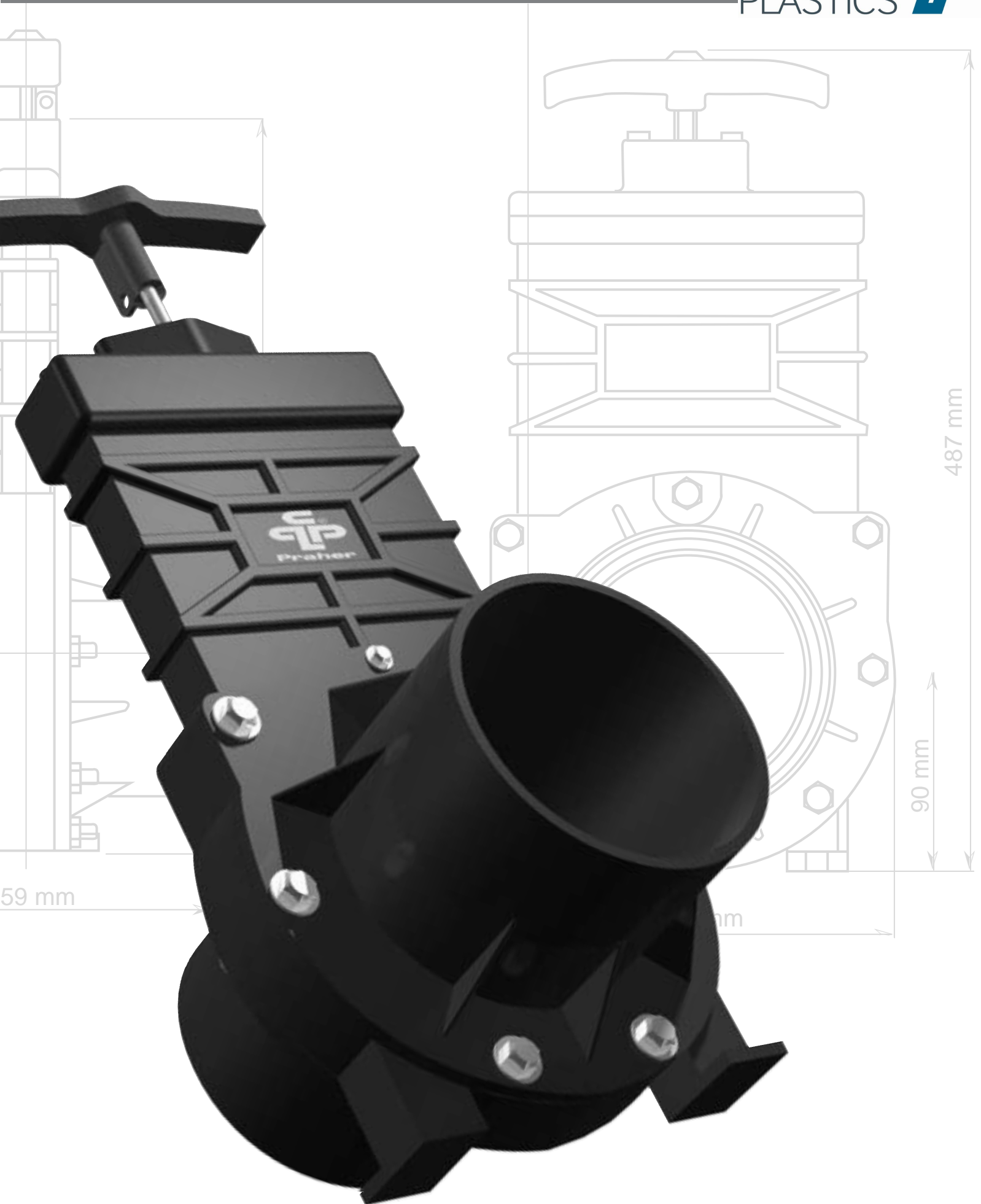
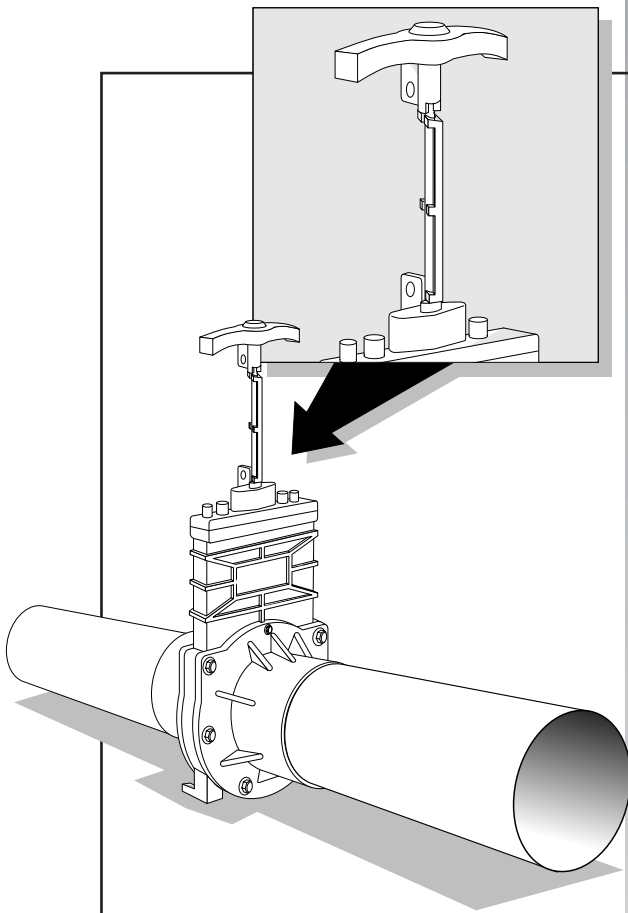


Plastic Knife Gate Valves

PRAHER
PLASTICS





APPLICATIONS

1" THROUGH 4" GATE VALVES

Inexpensive valves for industrial, agricultural and commercial markets, Ideal for quick shut-off in low pressure or vacuum lines. Other applications listed below.

- Pool & Spa
- Plumbing
- Waste Water Control
- Septic Systems
- IBC Products
- Irrigation
- Aquaculture
- Tank Drain Valves
- Carpet/Extraction Equipment

MATERIALS

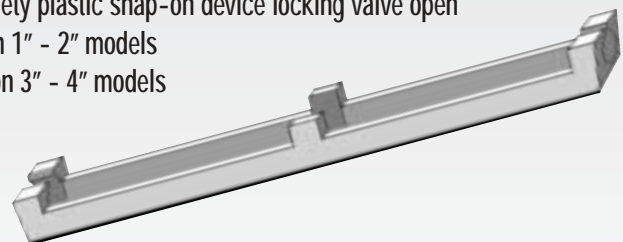
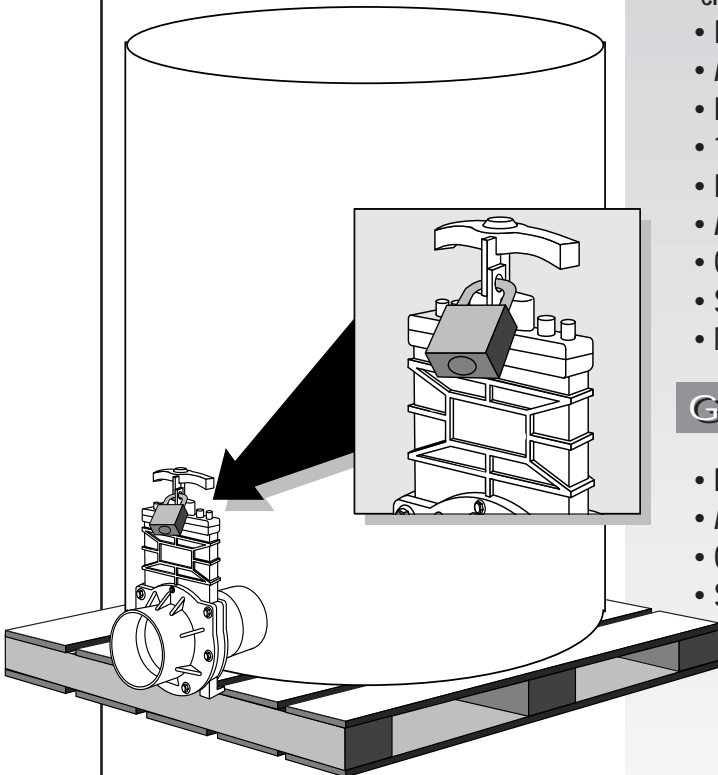
- PVC Construction (ABS available)
- TPE (thermoplastic elastomers) lip-type seals
- EPDM O-rings
- Stainless Steel (303/A4) shaft and hardware
- Glass reinforced polypropylene handle (3" & 4")

FEATURES

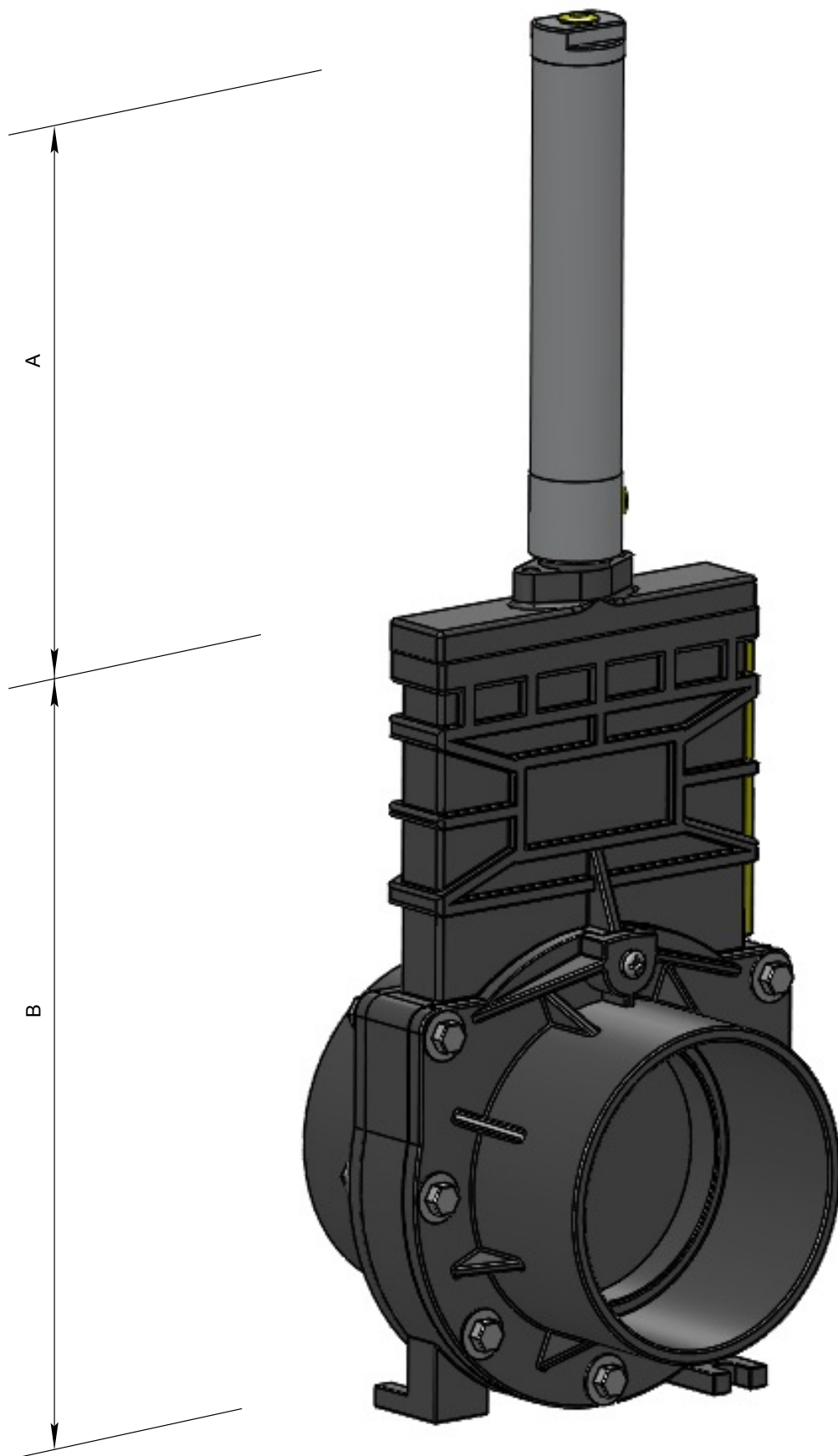
- Double O-ring shaft seals (3" x 4" only) fully serviceable
- Moulded mounting pads on valve body (3" & 4")
- Moulded tabs on handle and body for installing mechanical locks in "closed" position (3" x 4" only)
- Internal snap locks for gate locking in "open" position (2" & 4")
- Available with pneumatic actuators (3" & 4")
- Full flow design with unrestricted flow
- 1/4" x 20 thread on shaft for easy shaft extension (3" & 4")
- Lightweight
- Available with metric or imperial socket end connectors
- Quick opening/closing
- Simple & trouble-free operation
- Maximum operating pressure: 50 psi @ 70°F, 3.5 bar @ 20°C

GATEKEEPER - "SAFETY-CLIP"

- Prevents unintentional closing
- A rapid safety plastic snap-on device locking valve open
- Optional on 1" - 2" models
- Standard on 3" - 4" models



Actuated Valve



FEATURES

- Custom made Aluminum/Stainless Steel double-acting air cylinder with 1/8" FPT ports*
- Built for maximum performance and reliability
- Cylinders for chemically treated water are also available
- Magnetic piston standard on all cylinders
- Optional positioning switch magnetically activated

*60 psi minimum air pressure required to operate cylinder.

OPTIONAL ACTUATOR CONVERSION KIT

This kit allows the conversion of a manual valve to an actuated valve. Kit includes cylinder and mounting hardware. No special tools required for assembly.

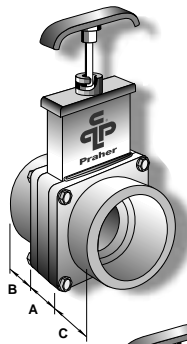
Description

200-GAIR	2" Gate Valve with Air Actuator D.A.
300-GAIR	3" Gate Valve with Air Actuator D.A.
400-GAIR	4" Gate Valve with Air Actuator D.A.
M14310	2" Pneumatic Air Cylinder
M13749	3" & 4" Pneumatic Air Cylinder

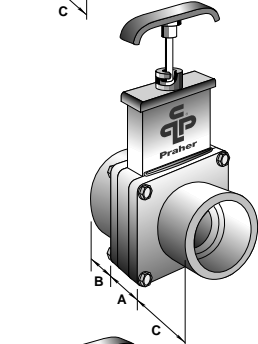
Dimensions

Part #	A	B
200-GAIR	142.5 mm	148 mm
300-GAIR	220 mm	300 mm
400-GAIR	220 mm	300 mm

SOCKET BY SOCKET

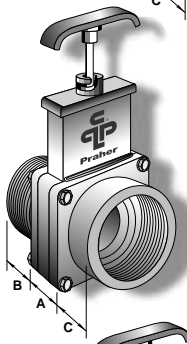


Model # [Canada/U.S.A.]	Model # [Europe]	IPS Size	Metric Size	Material	Colour	Socket OD	Dimensions		
							A	B	C
100-GATE	7.1747	1.0"	25 mm	PVC	White	40 mm	30.5	20	20
100-GATE/M	7.1746	1.0"	25 mm	PVC	Grey	40 mm	30.5	20	20
150-GATE	7.0457	1.5"	40 mm	PVC	White	60 mm	30.5	30	30
150-GATE/G	7.0216	1.5"	40 mm	PVC	Grey	60 mm	30.5	30	30
150-GATE/M	7.0968	1.5"	40 mm	PVC	Grey	60 mm	30.5	21	21
200-GATE	7.0609	2.0"	50 mm	PVC	White	71.6 mm	29	39	39
200-GATE/G	7.0609	2.0"	50 mm	PVC	Grey	71.6 mm	29	39	39
200-GATE/M	7.0632	2.0"	50 mm	PVC	Grey	75.6 mm	29	39	39
250-GATE	7.1518	2.5"	65 mm	PVC	White	83 mm	22	49	49
300-GATE	7.1464	3.0"	80 mm	PVC	Grey	100 mm	39.5	55.5	55.5
300-GATE/M	7.1463	3.0"	80 mm	PVC	Grey	100 mm	39.5	55.5	55.5
400-GATE	7.1462	4.0"	100 mm	PVC	Grey	125.5 mm	39.5	59.5	59.5
400-GATE/M	7.1461	4.0"	100 mm	PVC	Grey	125.5 mm	39.5	66	66



SOCKET BY SPIGOT

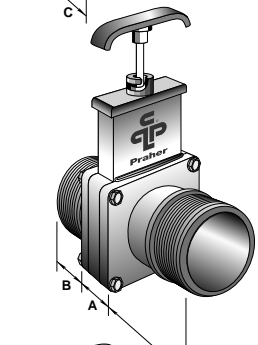
Model # [Canada/U.S.A.]	Model # [Europe]	IPS Size	Metric Size	Material	Colour	Dimensions		
						A	B	C
150-SLSP	N/A	1.5"	-	PVC	White	30.5	30	30
200-SLSP	N/A	2.0"	-	PVC	White	29	39	35.5



M.I.P.T. BY F.I.P.T.

Model # [Canada/U.S.A.]	Model # [Europe]	IPS Size	Metric Size	Material	Colour	Dimensions		
						A	B	C
150-GMFT	7.0573	1.5"	40 mm	PVC	White	30.5	55	29
151-GMFT	N/A	1.5"	-	ABS	Black	30.5	55	29

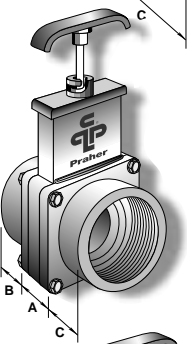
*Also available with short thread B = 28 mm



M.I.P.T. BY M.I.P.T.

Model # [Canada/U.S.A.]	Model # [Europe]	IPS Size	Metric Size	Material	Colour	Dimensions		
						A	B	C
150-GMMT	N/A	1.5"	-	PVC	White	30.5	55	55

*Also available with short thread B/C = 28 mm

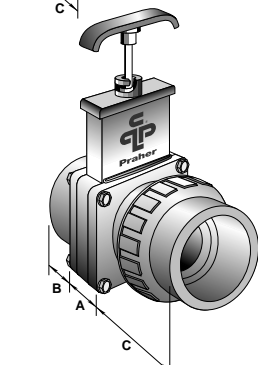


F.I.P.T. BY F.I.P.T.

Model # [Canada/U.S.A.]	Model # [Europe]	IPS Size	Metric Size	Material	Colour	Dimensions		
						A	B	C
150-GFFT	N/A	1.5"	-	PVC	White	30.5	27.75	27.75
151-GFFT	N/A	1.5"	-	ABS	Black	30.5	27.75	27.75
200-GFFT	N/A	2.0"	-	PVC	White	29	39	39

SOCKET BY UNION

Model # [Canada/U.S.A.]	Model # [Europe]	IPS Size	Metric Size	Material	Colour	Dimensions		
						A	B	C
150-UNIO	N/A	1.5"	-	PVC	White	30.5	30	77
200-UNIO	N/A	2.0"	-	PVC	White	29	39	90.5



MIPT - Male Iron Pipe Thread (NPT)

FIPT -Female Iron Pipe Thread (FPT)

SOCKET BY M.I.P.T.

Model # [Canada/U.S.A.]	Model # [Europe]	IPS Size	Metric Size	Material	Colour	Dimensions		
						A	B	C
150-SLMT	N/A	1.5"	-	PVC	White	30.5	30	55

*Also available with short thread C = 28 mm

1.5" M.I.P.T. BY 1.5" HOSE BARB**

Model # [Canada/U.S.A.]	Model # [Europe]	IPS Size	Metric Size	Material	Colour	Dimensions		
						A	B	C
150-HBMT	N/A	1.5"	-	PVC	White	30.5	55	47
151-HBMT	N/A	1.5"	-	ABS	Black	30.5	55	47

*Also available with short thread B = 28 mm

** Fits hose ID of 1 5/8" (41 mm)

FEMALE UNION BY UNION

Model # [Canada/U.S.A.]	Model # [Europe]	IPS Size	Metric Size	Material	Colour	Dimensions		
						A	B	C
= " hC				ht#	†			

7 7

FEMALE UNION BY UNION

Model # [Canada/U.S.A.]	Model # [Europe]	IPS Size	Metric Size	Material	Colour	Dimensions		
						A	B	C
= " C	V "		-	ht#	†			

7 7

FEMALE UNION BY UNION

Model # [Canada/U.S.A.]	Model # [Europe]	IPS Size	Metric Size	Material	Colour	Dimensions		
						A	B	C
150-HB4PMT	N/A	1.5"	-	PVC	White	30.5	53.5	28

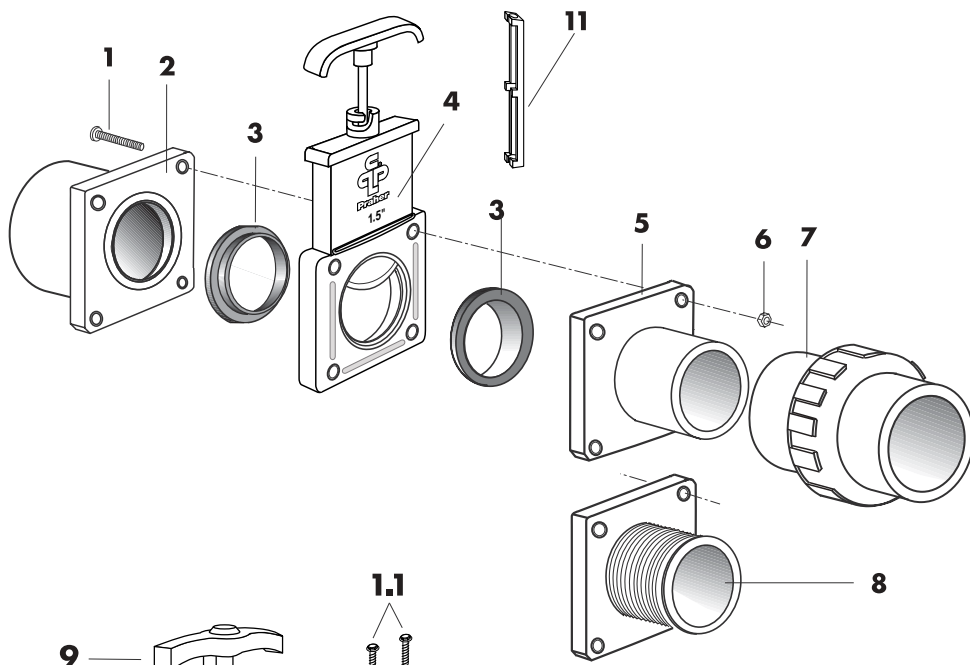
* Fits hose ID of 1.5" (38 mm)

UNION BY UNION

Model # [Canada/U.S.A.]	Model # [Europe]	IPS Size	Metric Size	Material	Colour	Dimensions		
						A	B	C
N/A	12.2646	1.5"	50 mm	PVC	White	30.5	77	77
N/A	7.0627	2.0"	60 mm	PVC	White	29	90.5	90.5

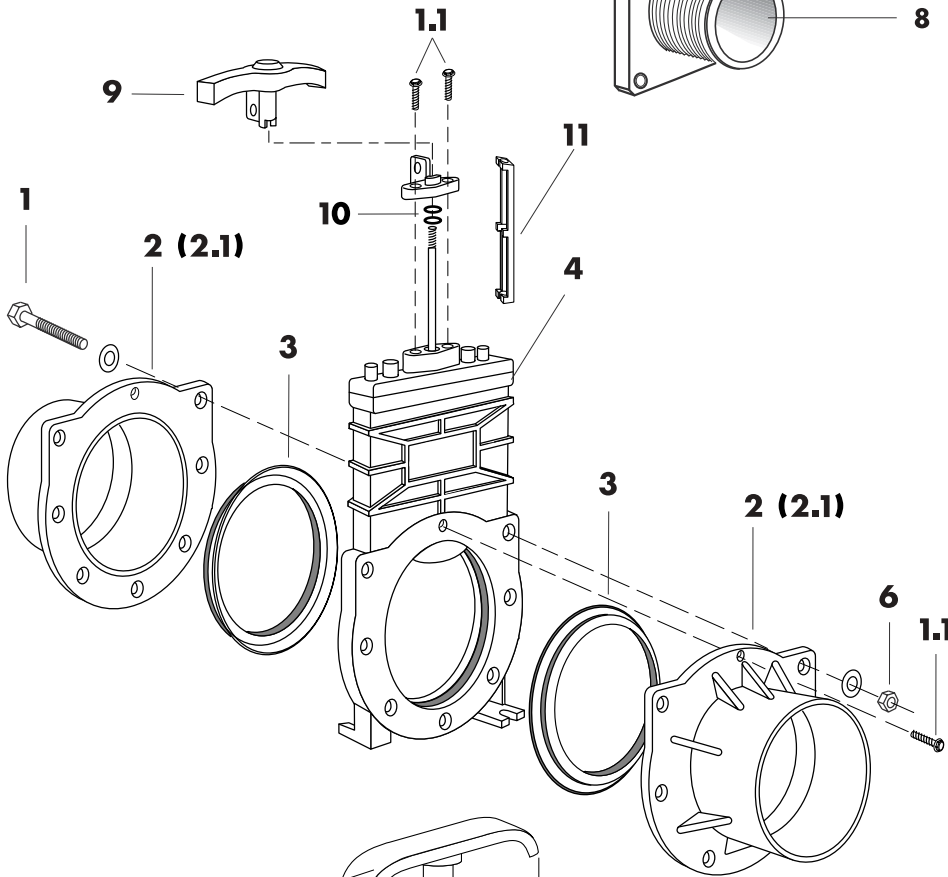
SOCKET - Female socket to accommodate rigid plastic PVC pressure pipe.

SPIGOT - Male connector with the same outside diameter as rigid plastic PVC pipe



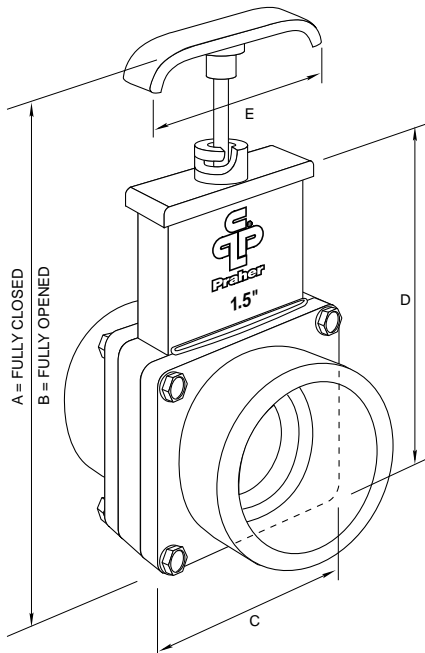
1" - 2.5"

- 1 BOLT (set of 4)
- 2 PVC-SOCKET END
- 3 GASKET (set of 6)
- 4 BODY ASSEMBLY
- 5 SPIGOT END PVC
- 6 LOCKNUT (set of 4)
- 7 DISCONNECT UNION PVC SOCKET X SOCKET
- 8 MPT-END PVC
- 9 GATEKEEPER SAFETY-CLIP (optional)



3" - 4"

- 1 BOLT (set of 7) 5/16" x 2
- 1.1 SELF-TAPPING SCREW
- 2 PVC-SOCKET END - ASTM
- 2.1 PVC-SOCKET END - METRIC
- 3 TPE GASKET
- 4 BODY ASSEMBLY WITH HANDLE
- 6 5/16" SS HEXNUT
- 9 HANDLE ONLY
- 10 SHAFT O-RINGS
- 11 GATEKEEPER SAFETY-CLIP (optional)



	1.0" & 1.5"		2.0"		2.5"		3.0" & 4.0"	
	Inches	mm.	Inches	mm.	Inches	mm.	Inches	mm.
A	5.76	146.5	6.63	168.5	8.3	211.5	15.35	390.0
B	7.36	187.0	8.86	225.0	11.1	284	19.57	497.0
C	2.87	73.0	3.35	85.0	4.1	104	7.09	180.0
D	4.96	126.0	5.78	147.0	7.1	181	11.81	300.0
E	2.76	70.0	2.76	70.0	3.7	94.3	4.72	120.0



Quality, Service, Innovation.

Manufacturer of: ball, butterfly, check, diaphragm and multiport valves. Plus a full line of actuated valves and specialty fittings.

Canada

Praher Plastics Canada Ltd.

T: 1 705 725 1100 F: 1 705 725 0444

www.praherplastics.ca

Austria

Praher Plastics Austria GmbH

T: 43 7262 61179 0 F: 43 7262 61203

sales@praherplastics.com

www.praherplastics.com

Germany

Peraplas Deutschland GmbH

T: 49 9171 9895 0 F: 49 9171 98985 4209

office.de@peraplas.com

Czech Republic

Peraplas Cesko s.r.o.

T: 420 323 637673 F: 420 323 637672

office.cz@peraplas.com

United Arab Emirates

Peraplas Praher Middle East FZE

T: 971 6 5579866 F: 971 6 5579707

office.ae@peraplas.com

