

Technical Datas for PERAQUA Butterfly Valves PVCu



The new Peraqua Butterfly series contains a lot of technical advantages, such as best flow rates and less pressure loss, light weight, free of corrosion easy to operate and install, competitive pricelevel, long lifespan

Fields of application: hotel- and public pool industry, watertreatment-fountain application, as safety valve, placed before and behind installed filterpumps or other important watertreatment equipment.

Standards:

DIN
ANSI*, JIS* - on demand!

Butterfly Valves Material:

PVCu
ABS*, PP-R*, FR-PP*, PE* - on demand!

Seal Material:

EPDM

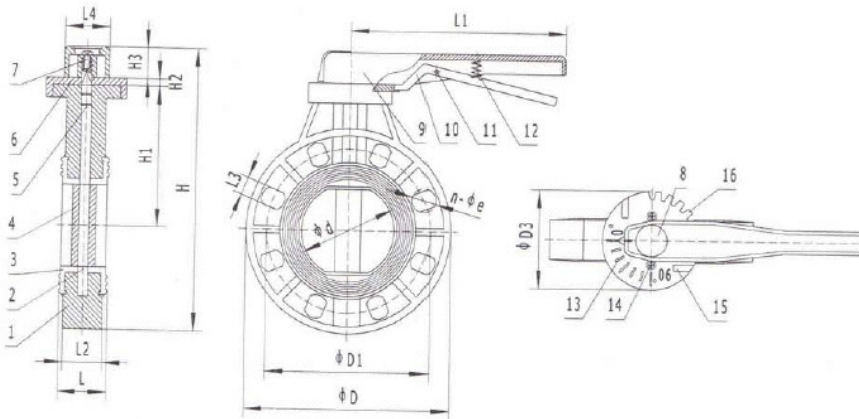
Bolt Material:

Zinc Plate Steel, 2Cr13, SUS304, SUS316

Working Pressure:

DN80 - 150, 1,0 Mpa, D71X-10S
2" - 6" Working Pressure 150 psi

DN200, 0,6 Mpa, D71X-6S
8" Working Pressure 100 psi



Spare Parts List & Dimensions:

No.	Part	Material	pcs	No.	Part	Material	pcs
1	Body	U-PVC, ABS, PE, PP	1	9	Handle	ABS	1
2	Stem	C-PVC, PP+GF, PPR	1	10	Lever	ABS+SUS304	1
3	Seal	EPDM, FPM	1	11	Set-Pin	Steel	1
4	Disc	U-PVC, ABS, PE, PP	1	12	Spring	304	1
5	O-Ring	C-PVC, PP+GF, PPR	1	13	Indicator Scale	ABS	1
6	Indicator Plate	EPDM, FPM	2	14	Screw	Steel, 304	4
7	Bolt	ABS	1	15	Position Limit	ABS	2
8	TM-Cap	304	1	16	Position Block	ABS	7
		ABS	1				

		DN80/3"	DN100/4"	DN125/5"	DN150/6"	DN200/8"
Ø D1	Ø D	196	228	258	287	344
	DIN	160	180	210	240	295
	ANSI*	152	191	216	241	298
	JIS*	150	175	210	240	290
	Ø d	80	100	125	150	200
	Ø D3	120	120	160	160	160
	L1	240	240	310	310	310
	L1	49	54	64	70	88
	L2	43	48	58	63	80
	L3	20	20	20	24	24
	L4	45	45	70	70	70
	H	278	318	367	399	469
	H1	132	156	195	188	230
	H2	8	8	12	12	12
	H3	40	40	55	55	55
n-Øe	DIN	8-18	8-18	8-18	8-22	8-23
	ANSI*	4-19	8-19	8-22	8-22	8-22
	JIS*	8-19	8-19	8-23	8-23	12-23
Working pressure		150psi 1,0MPa	150psi 1,0MPa	150psi 1,0MPa	150psi 1,0MPa	100psi 0,6MPa
Weight		1.80	2.40	4.20	4.75	7.60
Torque N.M.		<15	<22	<40	<45	<65

* - on demand!