



SMART POOL TECHNOLOGY
MADE IN AUSTRIA

PERAQUA[®]
pooled family pleasure



60 db
NOISE
LEVEL

smart

SELF-PRIMING SWIMMING POOL PUMP

EURO-PRO

100%
RELIABLE
DUE TO CORROSION
RESISTANT COMPONENTS

SILENT RUNNING

The quiet noise emission (64 67dBA) and the high operating efficiency are not typical for a filter pump, at the same time the energy consumption is reduced and the environment is protected.

smart

SELF-PRIMING SWIMMING POOL PUMP

EURO-PRO



APPLICATION

Smart EURO-PRO is a high performance self-priming centrifugal electric pump with built-in high capacity prefilter. Motor completely isolated from the water. Extremely quiet and highly reliable, developed for water circulation and filtration in domestic and residential swimming pools. Also suitable for specific applications requiring handling of aggressive liquids in the fishing, agricultural, and industrial sectors.

CONSTRUCTION PUMP

Fibreglass reinforced technopolymer pump body. Transparent antioxidant polycarbonate prefilter cover ensuring constant visibility over the long period. Nylon strainer. Fibreglass reinforced technopolymer impeller designed to ensure total cover and insulation of the motor shaft from the pumped liquid. Reinforced technopolymer diffuser. Carbon / alumina / NBR / AISI 316 mechanical seal. NBR pump body O-ring, AISI 316 stainless steel reinforcement ring nuts and screws. Butterfly filling and drain plugs that can be removed and refitted without tools

CONSTRUCTION MOTOR

Continuous service 2-pole asynchronous motor (S1) with a wide power range, from 0,5 HP to 3 HP, both single and three phase (see technical specifications). Die cast aluminium motor casing with cathaphoresis paint coating to avoid oxidation also in aggressive environments. Support base supplied with rubber feet to reduce vibrations. Single phase version with built-in thermal and current protection, and permanent split capacitor (PSC) inside the terminal box for all versions.

TECHNICAL DATA

<40 m³/h
POOL VOLUME

22 m
DELIVERY HEAD

IP 55
STANDARD

220-240V
50 Hz VOLTAGE
single-phase

< 60 °C
WATER TEMPERATURE

2" IG
CONNECTION

NOISE LEVEL COMPARISON

30 db
WHISPERING

60 db
EURO-PRO

90 db
HAIR DRYER

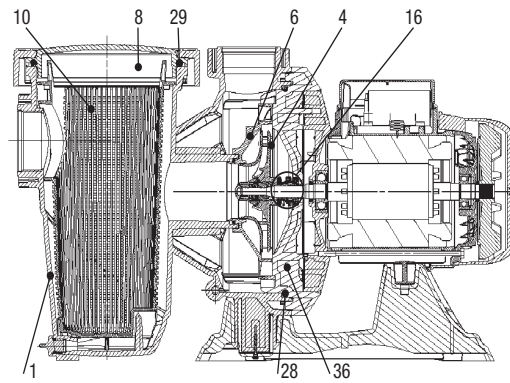
SILENT

RELIABLE

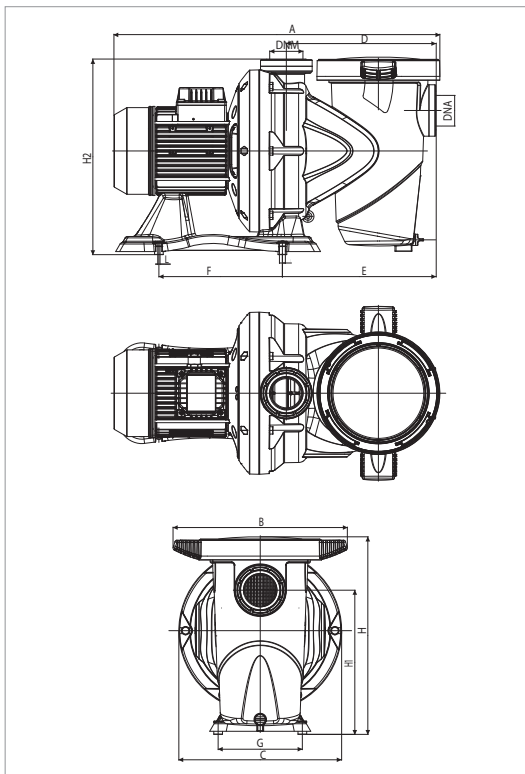
Corrosion-resistant materials guarantee a long lifespan even under extreme conditions.
High performance with low energy consumption.

MATERIALS

N.	PARTS*	MATERIALS
1	PUMP BODY	REINFORCED TECHNOPOLYMER
4	IMPELLER	REINFORCED TECHNOPOLYMER
6	DIFFUSER	REINFORCED TECHNOPOLYMER
8	STRAINER COVER	POLYCARBONATE
10	STRAINER	TECHNOPOLYMER
16	MECHANICAL SEAL	CARBON/ALUMINA/NBR/AISI316
28	O-RING	NBR
29	O-RING	NBR
36	SEAL HOLDING DISC	REINFORCED, STABILISED TECHNOPOLYMER

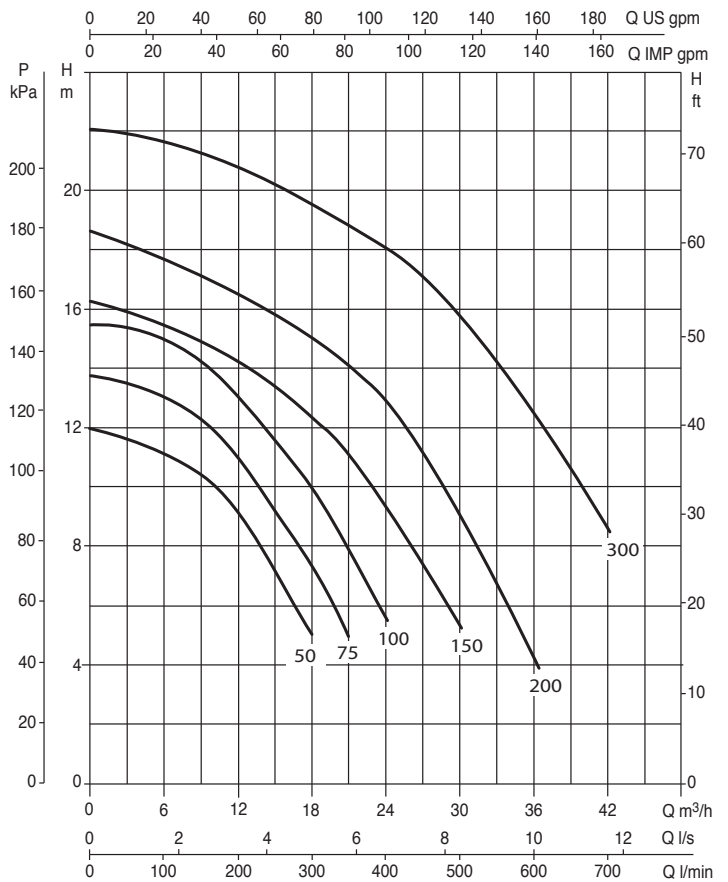


DIMENSIONS



Die Leistungskurven basieren auf den Werten der kinematischen Viskosität = 1 mm²/s und Dichte 1000 kg/m³. Kurventoleranz gemäß ISO 9906.

PERFORMANCE CURVES



MODEL EURO-PRO	A	B	C	D	E	F	G	H	H1	H2	I	L	DNA	DNM	AMOUNT/ PALLET	PACKAGING			VOLUME M ³	GROSS KG
																L/A	L/B	H		
50 M	536	242	245	257	265	220	150	351	222	314	11	6,5	G2"	G2"	8	600	360	400	0,09	11,1
75 M / 75 T	552	242	245	257	265	220	150	351	222	314	11	6,5	G2"	G2"	8	600	360	400	0,09	12,1
100 M / 100 T	552	242	245	257	265	220	150	351	222	314	11	6,5	G2"	G2"	8	600	360	400	0,09	13,8
150 M / 150 T	574	250	290	267	274	220	150	387	258	350	11	6,5	G2"	G2"	6	720	350	430	0,11	16,7
200 M	648	250	290	267	274	220	150	387	258	350	11	6,5	G2"	G2"	6	720	350	430	0,11	20
200 T	574	250	290	267	274	220	150	387	258	350	11	6,5	G2"	G2"	6	720	350	430	0,11	17,6
300 M	648	252	290	267	274	220	150	387	258	350	11	6,5	G2"	G2"	6	720	350	410	0,11	23,9
300 T	648	252	290	267	274	220	150	387	258	350	11	6,5	G2"	G2"	6	720	350	430	0,11	19,9

ELECTRICAL DATA

MODEL EURO-RPO	PROD. NO.	VOLTAGE 50 Hz	P1 max W	P2 kW - PS	IN A	CONDENSATOR μ F - Vc	NOISE LEVEL max db (A)
50 M	7300446	1x220-240V ~	900	0,33 - 0,5	4,2	16 - 450	53
75 M	7300447	1x220-240V ~	1000	0,5 - 0,75	5	20 - 450	56
75 T	7300452	3x230-400V ~	950	0,5 - 0,75	3,5 / 2	/ - /	56
100 M	7300448	1x220-240V ~	1300	0,75 - 1	6,3	25 - 450	57
100 T	7300453	3x230-400V ~	1200	0,75 - 1	4 / 2,4	/ - /	57
150 M	7300449	1x220-240V ~	1600	1,1 - 1,5	7	31,5 - 450	59
150 T	7300454	3x230-400V ~	1500	1,1 - 1,5	5 / 2,9	/ - /	59
200 M	7300450	1x220-240V ~	1900	1,5 - 2	8,6	40 - 450	62
200 T	7300455	3x230-400V ~	1900	1,2 - 2	6 / 3,5	/ - /	62
300 M	7300451	1x220-240V ~	2800	2,2 - 3	12	40 - 450	64
300 T	7300456	3x230-400V ~	2800	2,2 - 3	8,7 / 5	/ - /	64

HYDRAULICAL DATA

MODEL EURO-PRO	00	350	6100	9150	12200	18300	21350	24400	30500	36600	42700
50 M	12,0	11,7	11,2	10,5	9,3	5,3	-	-	-	-	-
75M / 75 T	13,8	13,5	13,1	12,4	11,1	7,5	5	-	-	-	-
100 M / 100 T	15,4	15,4	15	14,2	13,1	10,0	7,8	5,6	-	-	-
150 M	16,2	15,9	15,4	14,9	14,2	12,4	11,1	9,3	5,3	-	-
150 T	16,2	15,6	15,2	14,6	13,9	12,4	11,1	9,3	5,3	-	-
200 M / 200 T	18,6	18,2	17,7	17,1	16,5	15,0	14,1	12,8	9,0	4	-
300 M / 300 T	21,8	21,5	21,3	20,8	20,2	19,2	18,6	17,8	15,3	11,6	7,4

FEATURES

