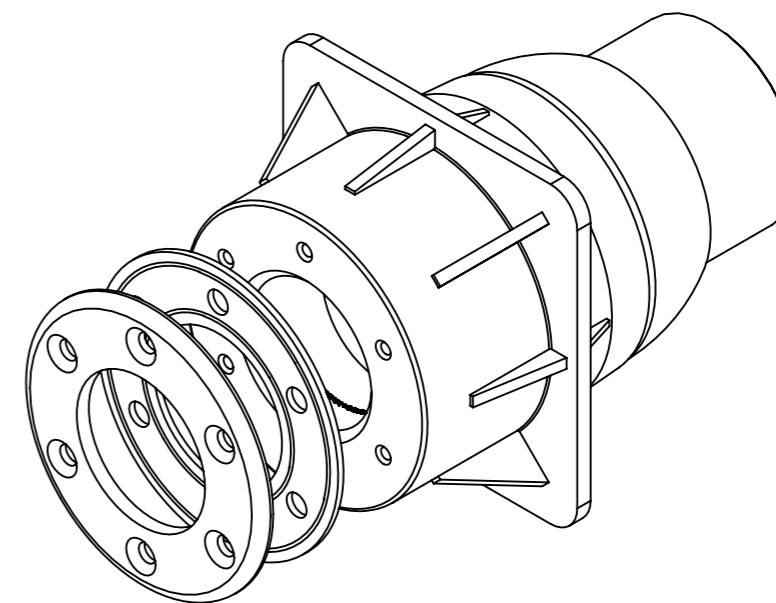


SECTION F-F



DRAWING IS FOR REFERENCE ONLY REFER TO 3D CAD DATA FOR PART GEOMETRY		DRAWN BY	NAME	DATE	HOUSE OF DURATECH Innovative pool products
		APPROVED	C.K.	16-04-24	
GENERAL TOLERANCES (UNLESS OTHERWISE SPECIFIED) LINEAR: ± 0.2mm ANGULAR: ± 0.5°	MATERIAL:	REVISION	1.0	TITLE: PZA-WCS-NG dimensions	
		COLOR:	DWG NO.		
PROPRIETARY AND CONFIDENTIAL: THE INFORMATION CONTAINED IN THIS DRAWING IS THE SOLE PROPERTY OF PROPULSION SYSTEMS. ANY REPRODUCTION IN PART OR AS A WHOLE WITHOUT THE WRITTEN PERMISSION OF PROPULSION SYSTEMS IS STRICTLY PROHIBITED	FINISH:	A3			DO NOT SCALE DRAWING
		SCALE:1:2			